

# TimberVu W-Series Swing Door (C200I/C200O)

## Technical Data Sheet

### Frame/Sash

- Architectural Grade 6063-T63 Aluminum
- Azon Thermal Break (Mainframe/Panel)
- SolidCore Technology within Panel
- 45 Degree Mitered Mainframe
- Butt Joint Panels
- Corner Key Technology
- 4-9/16" and 6-9/16" Frame Depth Options
- 2-1/4" Panel Depth
- 3-3/8" Stile and Rail (Narrow)
- 3-3/8" Stile and 5-3/16" Rail (Wide)
- Single/French and Sidelite Door Options
- Pine Interior
- XO, OX, OXXO

### Glazing

- Beveled/Square Exterior Glazing Stops
- Quanex Super Spacer
- 100% Silicone Wet Glaze
- Double Pane Insulated Glass Options
- Annealed, Tempered, Laminated and Obscure Glass Options Available

### Weather Stripping

- Bulb Gaskets Around Perimeter

### Hardware

- Adjustable Butt Hinges
- Multi-Point Lock System with Independent Dead Bolt

### Mulling Options

- Field Applied Mulls

### Grid Options

- Grids Between the Glass
- Simulated Divided Lites

### Sill Options

- Standard/ADA/No Sill

### Paint

- 2604/2605 FGIA High Performance Powder Coatings
- 30 Standard Colors
- Custom Colors available

TimberVu W-Series Swing Door (C200I/C200O)		
NAFS Rating	R-50/LC-50	
Design Pressure (P.S.F.)	45	
Air Infiltration at 25 MPH (cfm/ft <sup>2</sup> )	0.06	
Water Resistance	4.59	
U-Value (Based on Cardinal 366 Low-E/Argon Fill)	0.30	
SHGC (Based on Cardinal 366 Low-E/Argon Fill)	0.19	
<b>Frame Sizing</b>	<b>Width</b>	<b>Height</b>
Minimum	60"	78"
Maximum	96"	120"

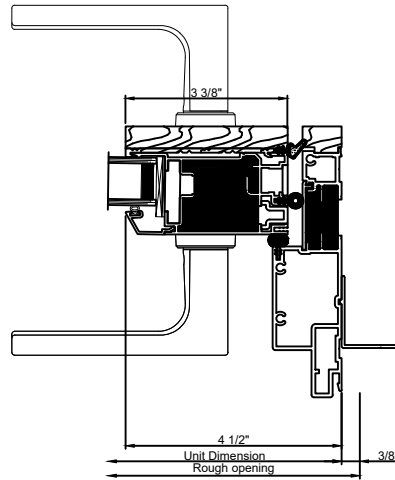
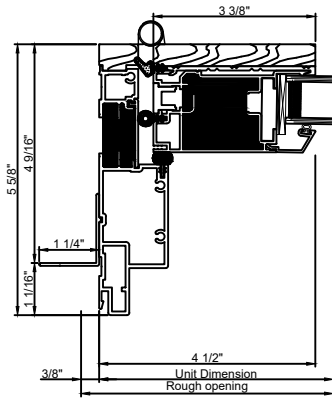


Quaker Window Products  
 504 U.S. Hwy 63 South  
 Freeburg, MO 65035  
 (800) 347-0438  
[www.quakerresidentialwindows.com](http://www.quakerresidentialwindows.com)

Discover More Here:

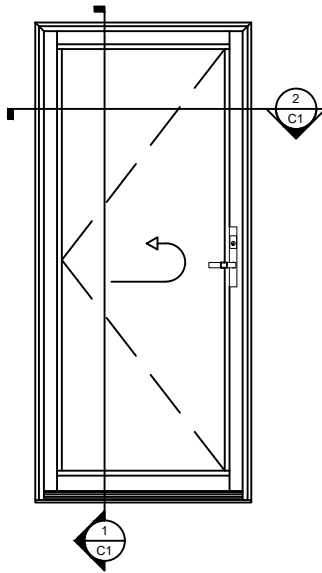


QTZ-TV-W-SWNG-0324

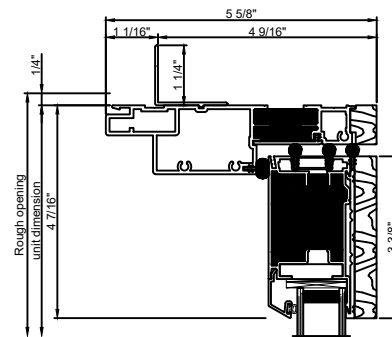


Door cut sections 1 : 4

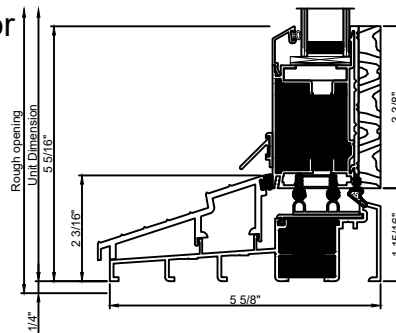
Exterior



Window Elevation 3/8" = 1' 0"

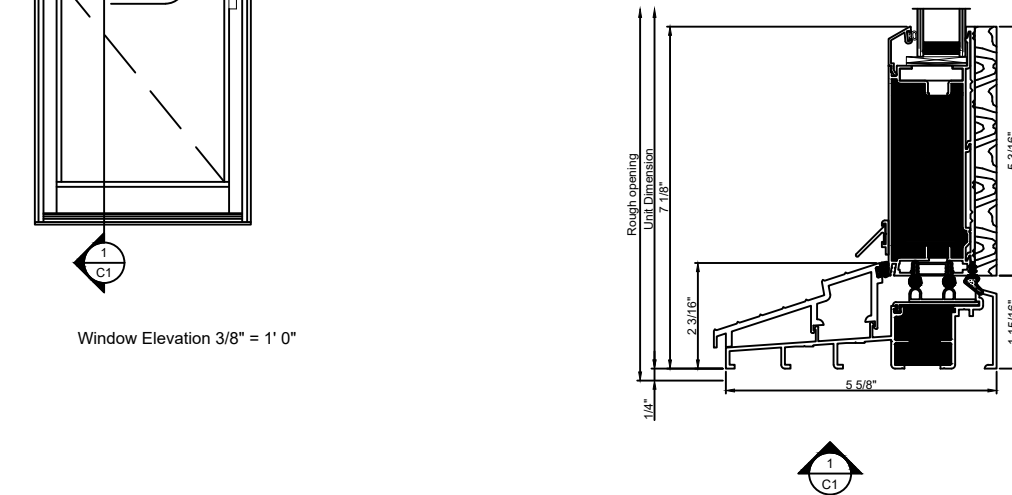
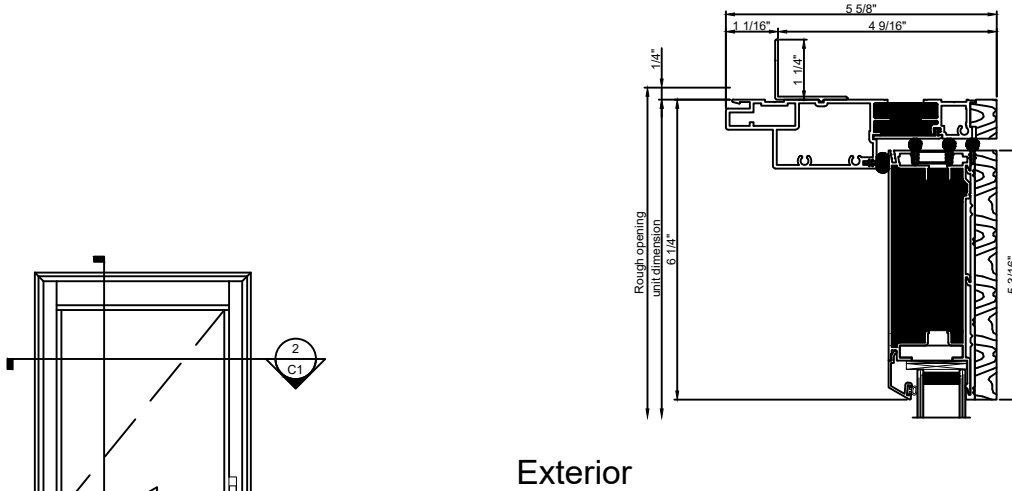
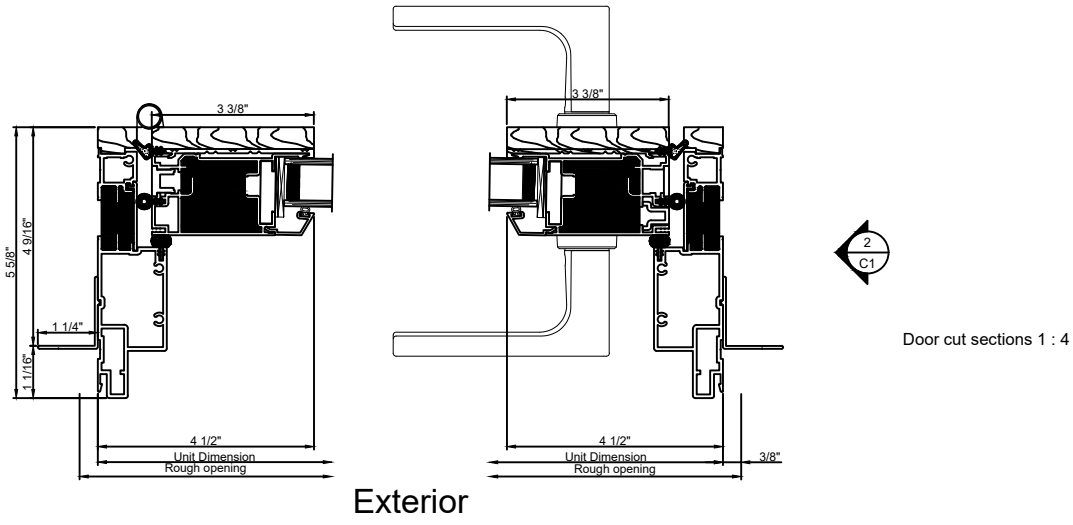


Exterior



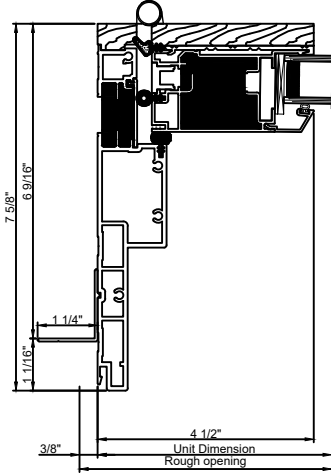
Door cut sections 1 : 4

Note: All dimensions are approximate. Quaker reserves the right to change specifications without notice.

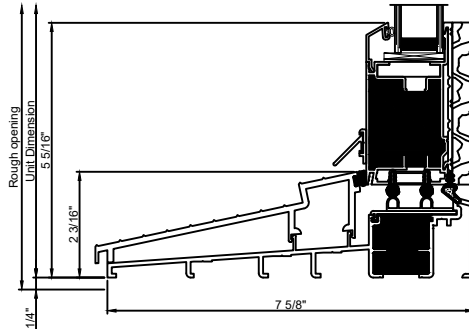


Window Elevation 3/8" = 1' 0"

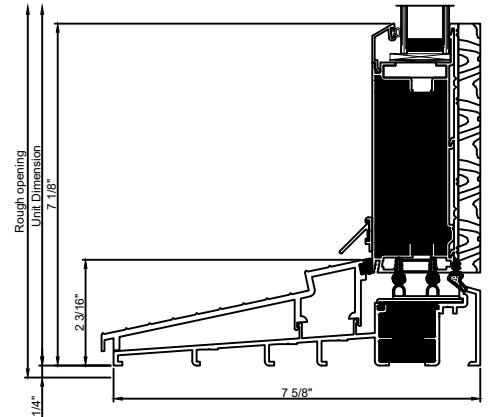
Note: All dimensions are approximate. Quaker reserves the right to change specifications without notice.



**6 9/16" Jamb**



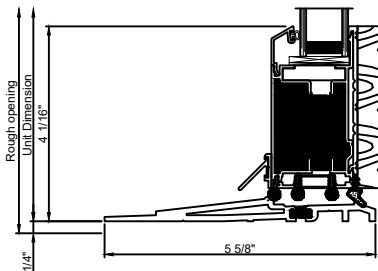
**6 9/16" Std. Sill**



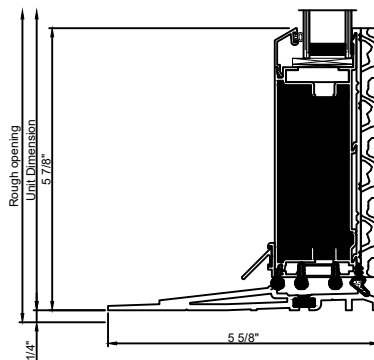
**6 9/16" Std. Sill**

Door cut sections 1 : 4

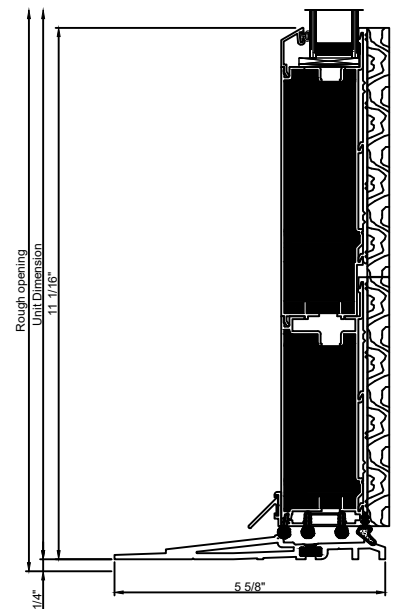
Exterior



**Low Profile Sill**



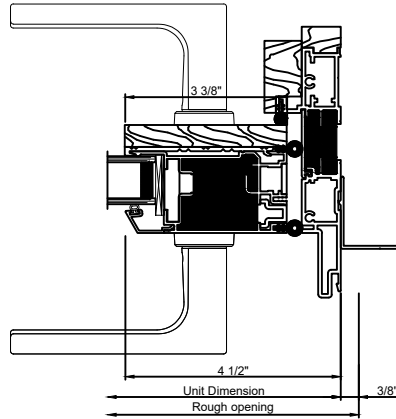
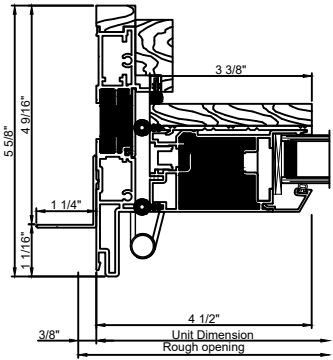
**Low Profile Sill  
Wide**



**Low Profile Sill  
10"**

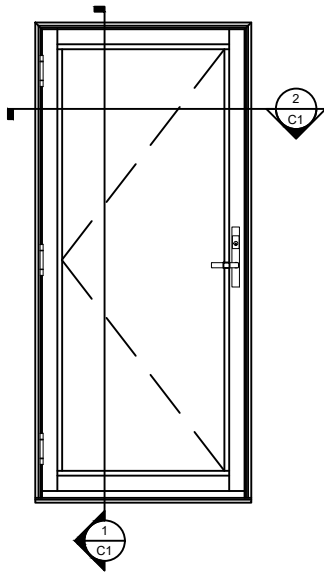
Door cut sections 1 : 4

Note: All dimensions are approximate. Quaker reserves the right to change specifications without notice.

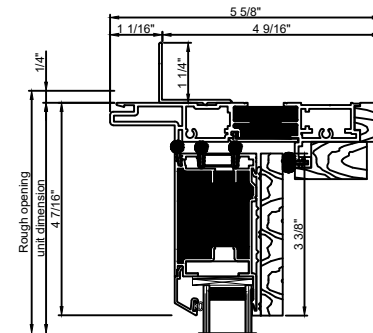


Door cut sections 1 : 4

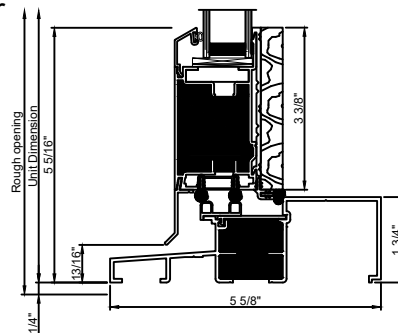
Exterior



Window Elevation 3/8" = 1' 0"

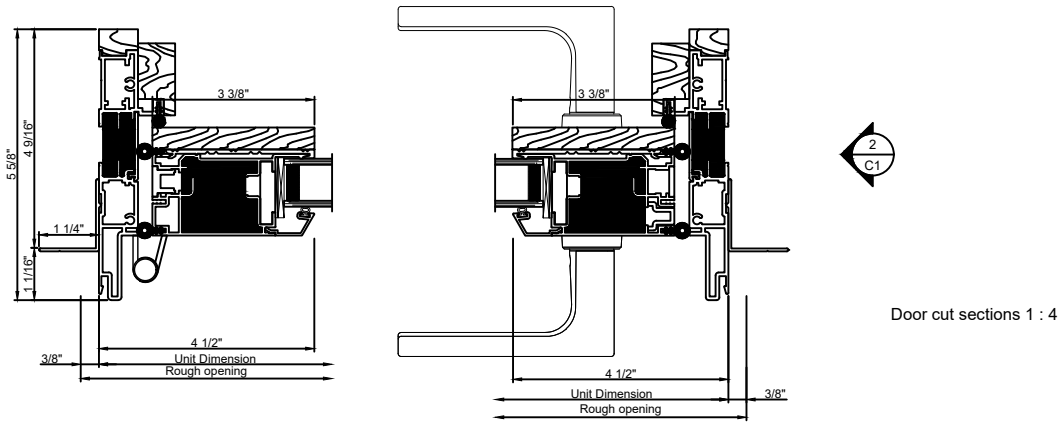


Exterior

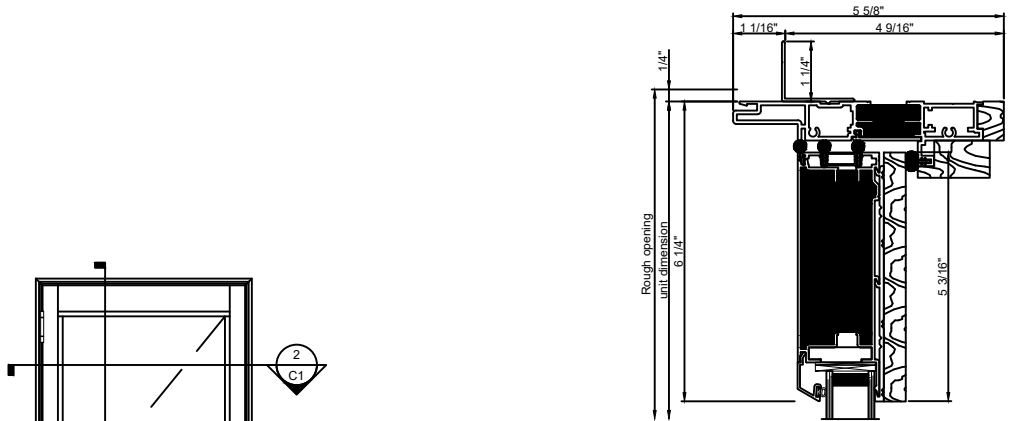


Door cut sections 1 : 4

Note: All dimensions are approximate. Quaker reserves the right to change specifications without notice.

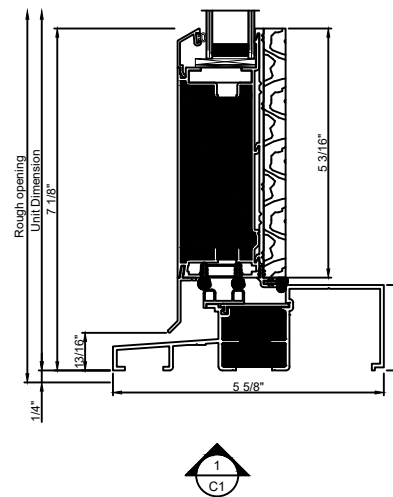


Exterior



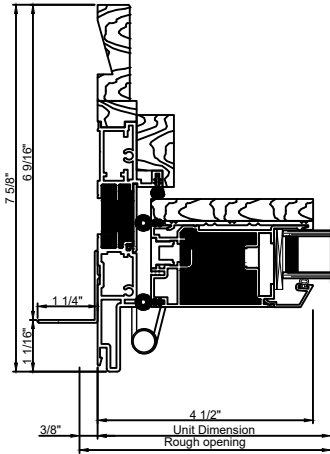
Exterior

Window Elevation 3/8" = 1' 0"

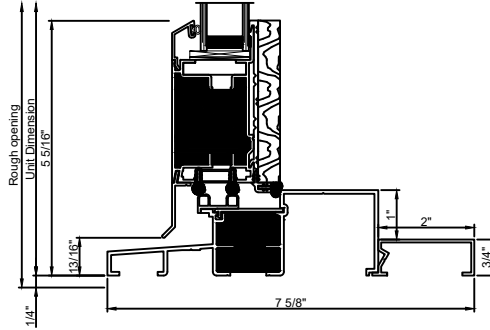


Door cut sections 1 : 4

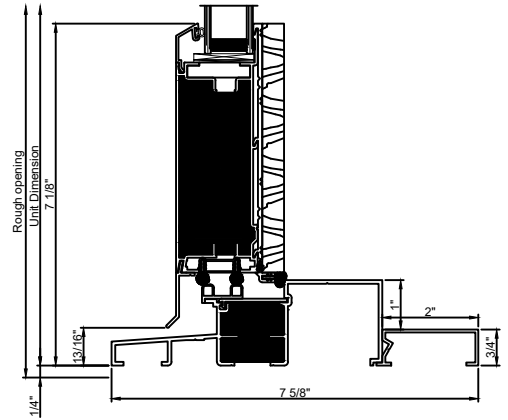
Note: All dimensions are approximate. Quaker reserves the right to change specifications without notice.



**6 9/16" Jamb**



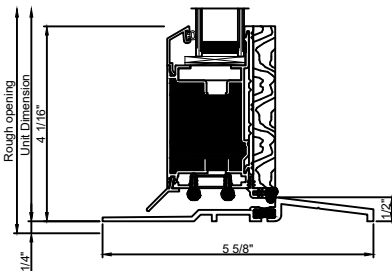
**6 9/16" Std. Sill**



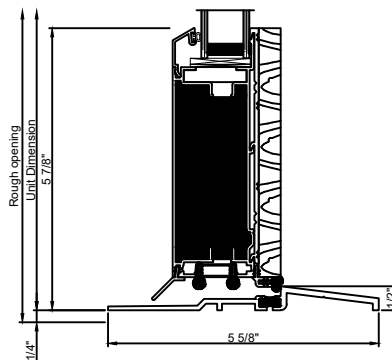
**6 9/16" Wide Sill**

Door cut sections 1 : 4

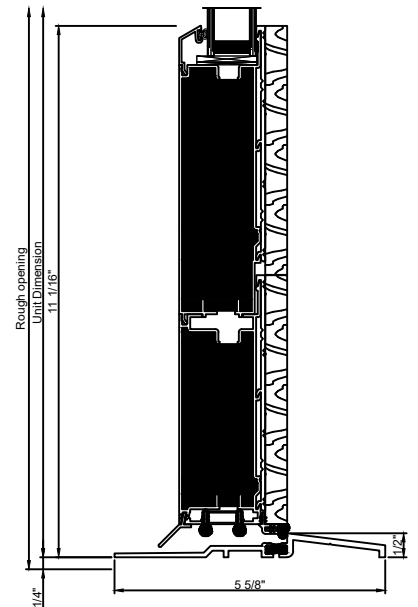
Exterior



**Low Profile Sill**



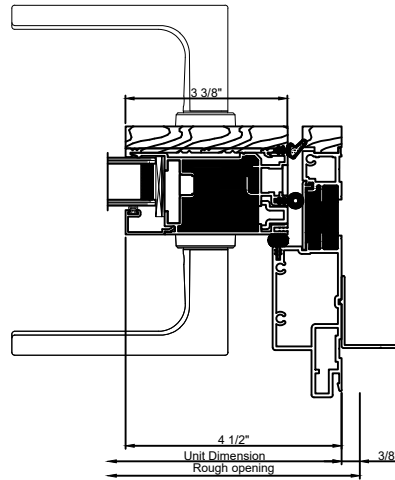
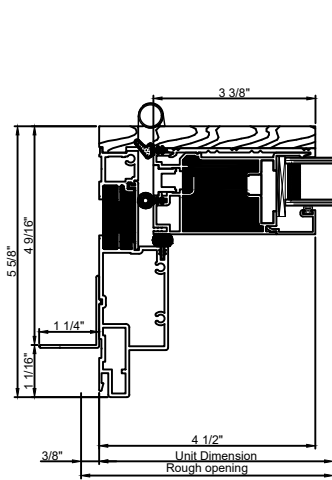
**Low Profile Sill  
Wide**



**Low Profile Sill  
10"**

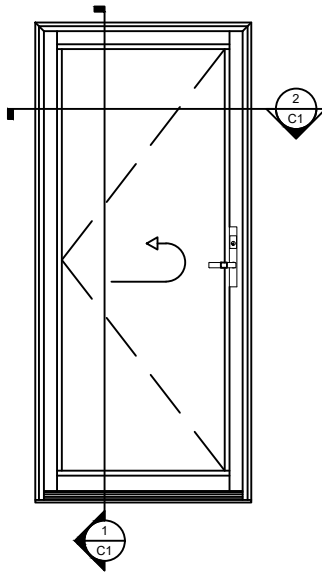
Door cut sections 1 : 4

Note: All dimensions are approximate. Quaker reserves the right to change specifications without notice.

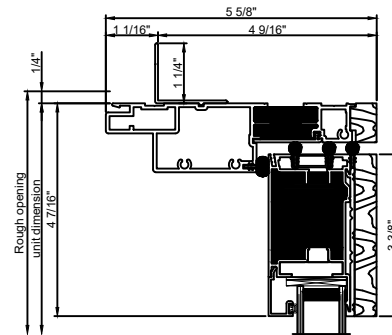


Door cut sections 1 : 4

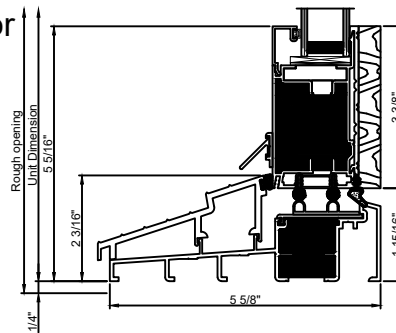
Exterior



Window Elevation 3/8" = 1' 0"



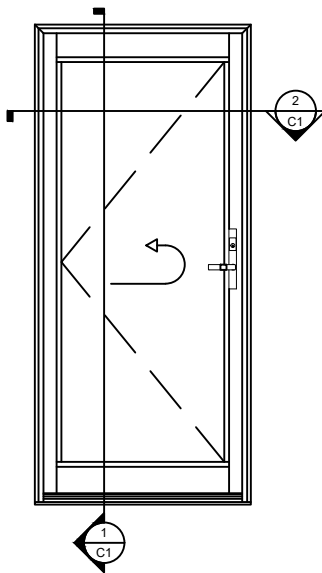
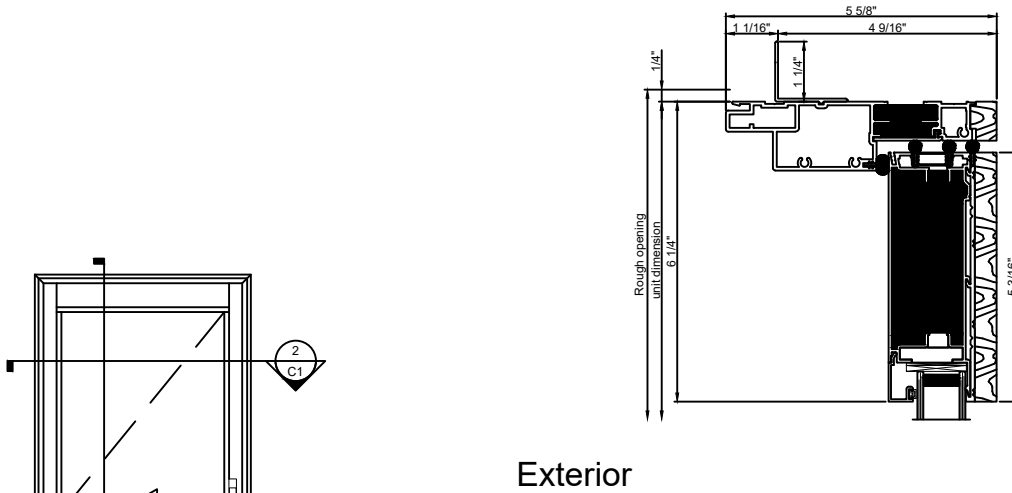
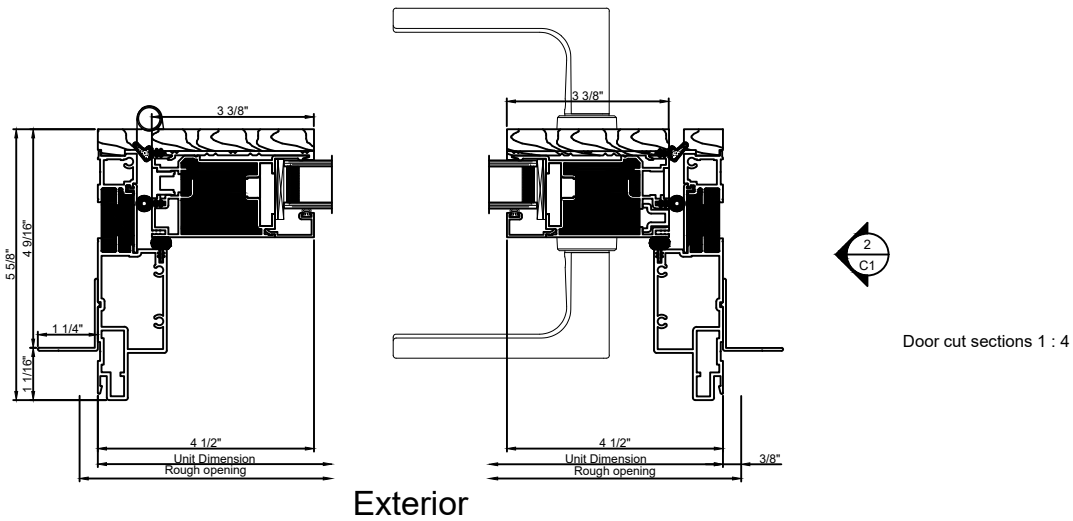
Exterior



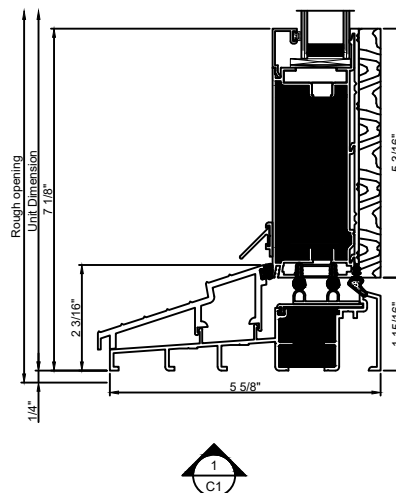
Door cut sections 1 : 4

Note: All dimensions are approximate. Quaker reserves the right to change specifications without notice.

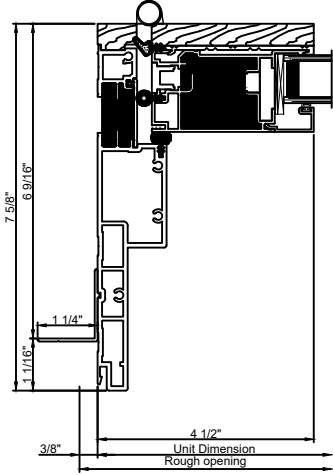




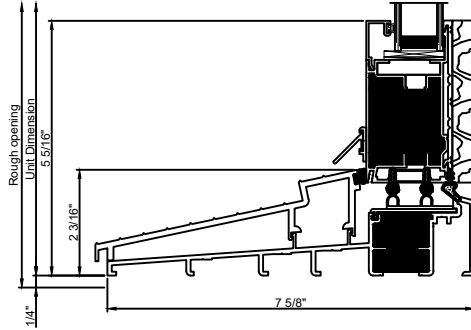
Window Elevation 3/8" = 1' 0"



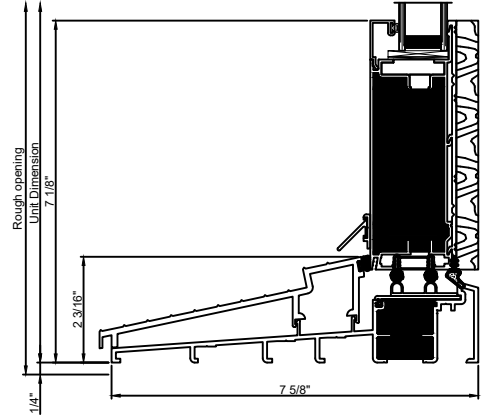
Note: All dimensions are approximate. Quaker reserves the right to change specifications without notice.



**6 9/16" Jamb**



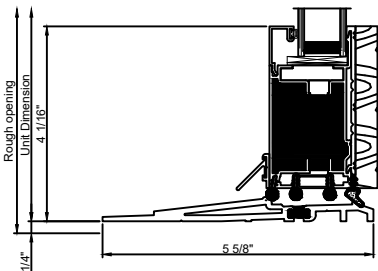
**6 9/16" Std. Sill**



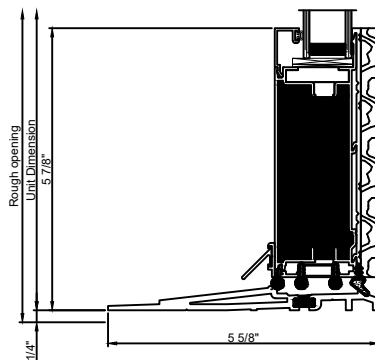
**6 9/16" Std. Sill**

Door cut sections 1 : 4

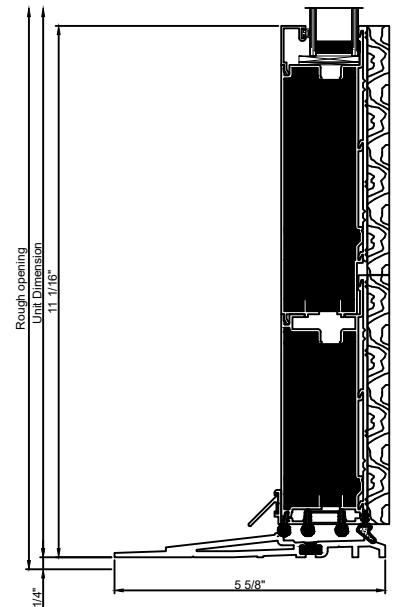
Exterior



**Low Profile Sill**



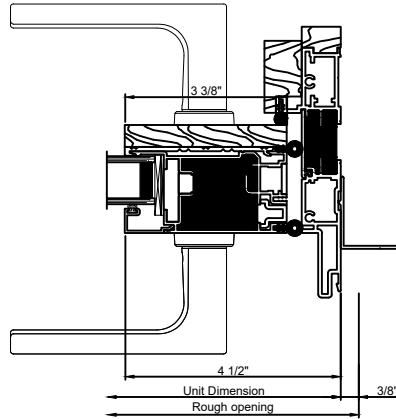
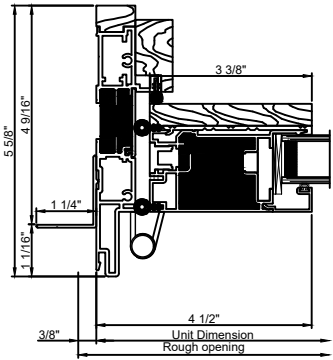
**Low Profile Sill  
Wide**



**Low Profile Sill  
10"**

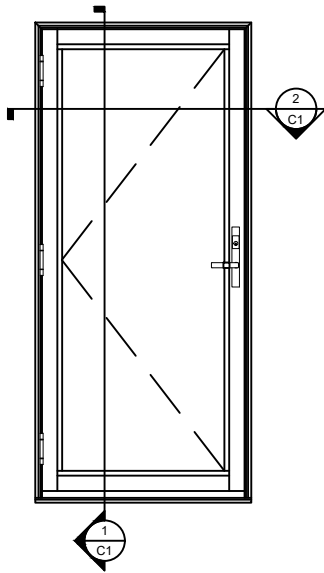
Door cut sections 1 : 4

Note: All dimensions are approximate. Quaker reserves the right to change specifications without notice.

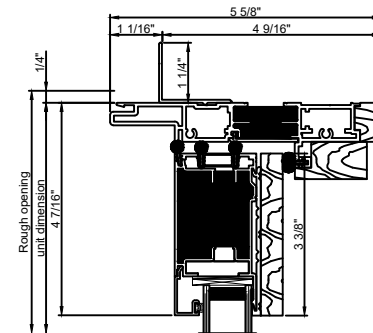


Door cut sections 1 : 4

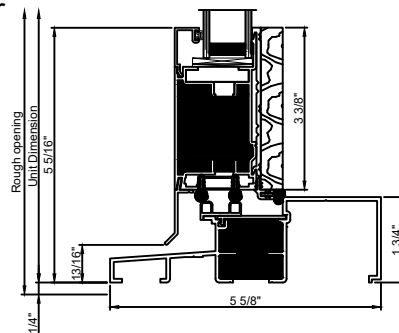
Exterior



Window Elevation 3/8" = 1' 0"

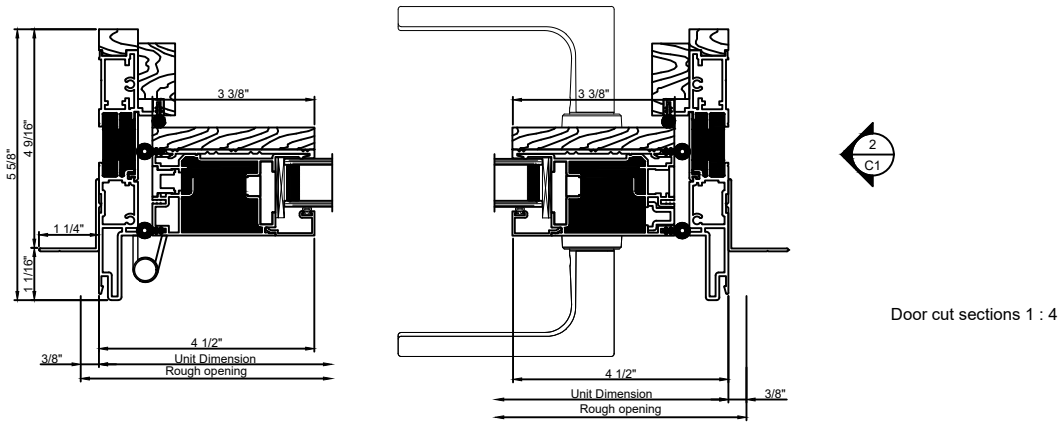


Exterior

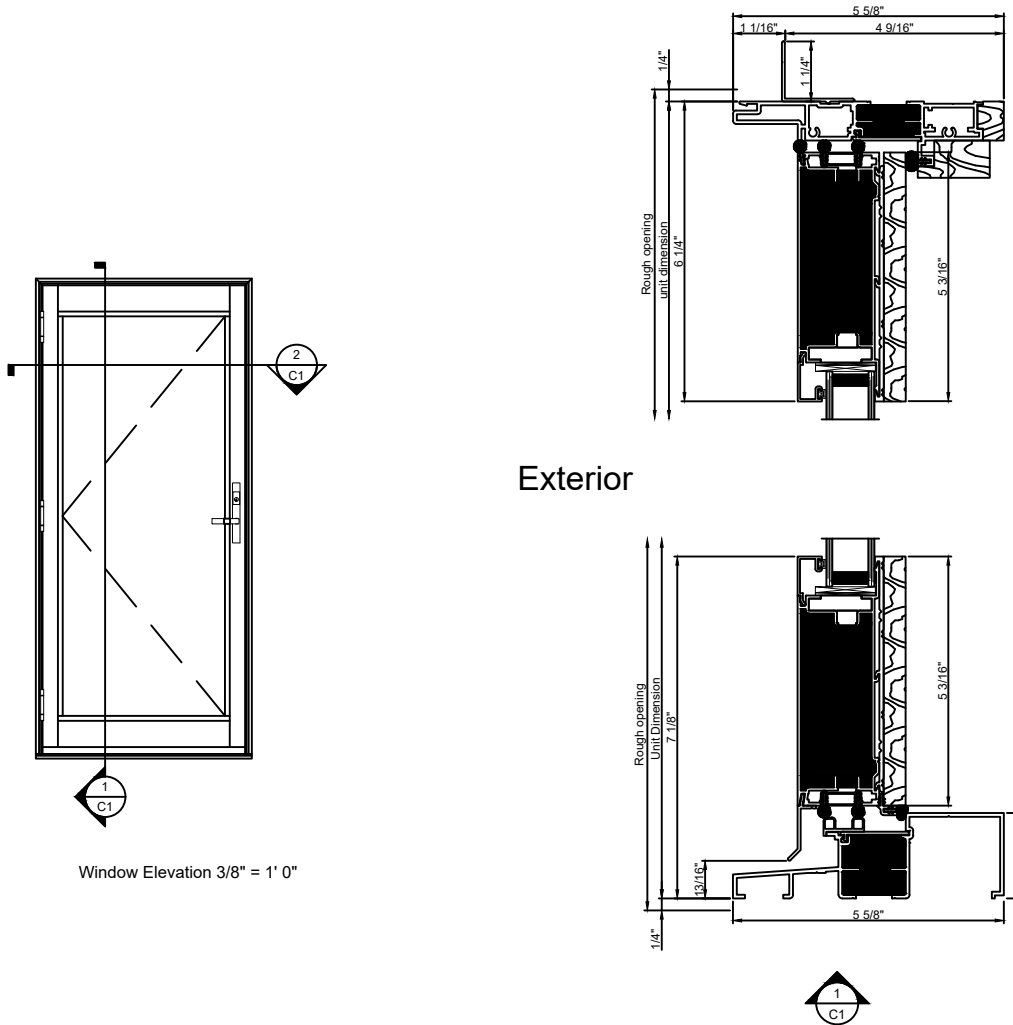


Door cut sections 1 : 4

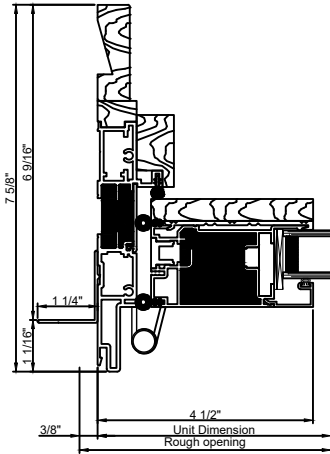
Note: All dimensions are approximate. Quaker reserves the right to change specifications without notice.



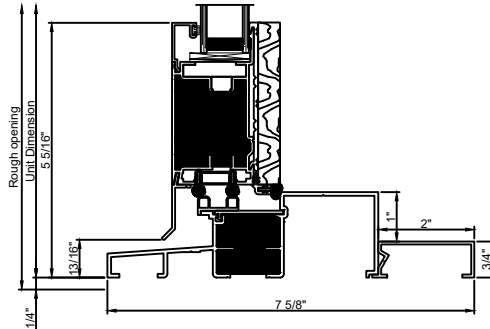
Exterior



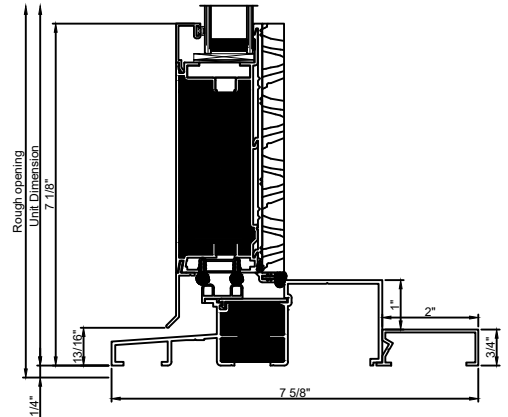
Note: All dimensions are approximate. Quaker reserves the right to change specifications without notice.



6 9/16" Jamb



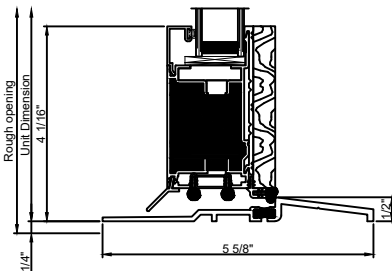
6 9/16" Std. Sill



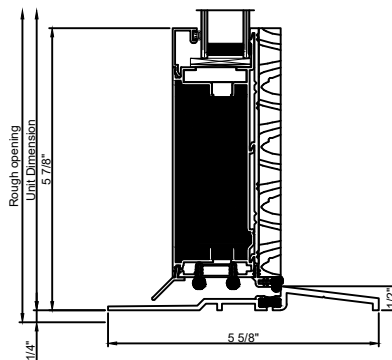
6 9/16" Wide Sill

Door cut sections 1 : 4

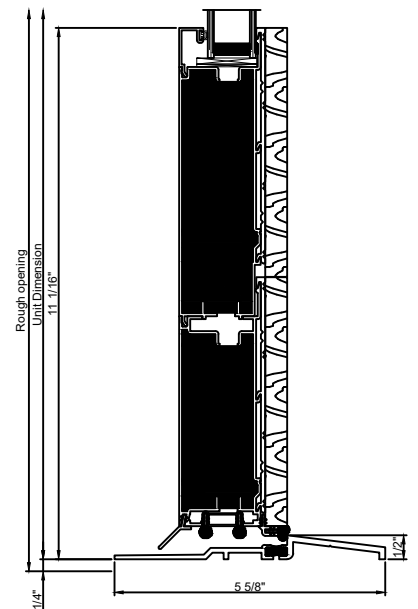
Exterior



Low Profile Sill



Low Profile Sill  
Wide



Low Profile Sill  
10"

Door cut sections 1 : 4

Note: All dimensions are approximate. Quaker reserves the right to change specifications without notice.